

HAUSER

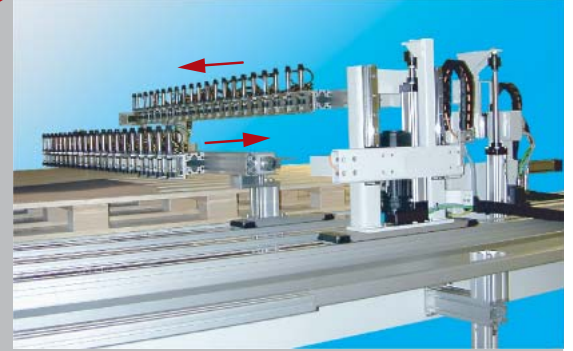
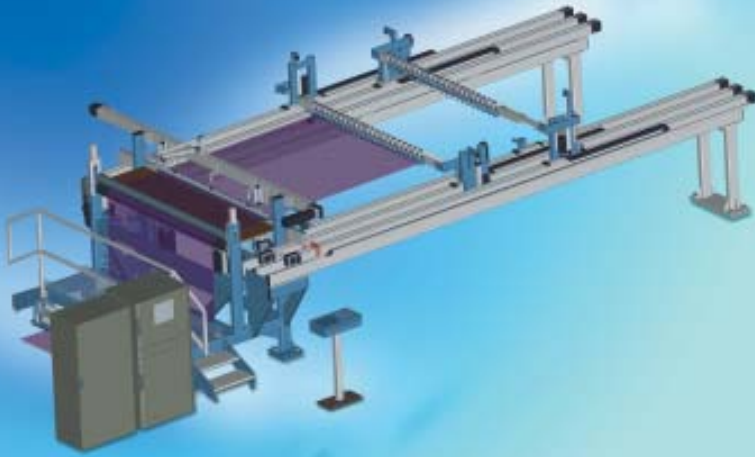
Excellence in Cutting and Stacking

Laminates

Foils

Textiles Nonwoven

Cutting System



Features

- ▶ Computer controlled
- ▶ Double gripper carriage system
- ▶ 24 cross cuts per minute
- ▶ Working width up to 2500 mm (100 inch)
- ▶ Working length 5000 mm (200 inch) max.
- ▶ Multiple unwinding stations
- ▶ Max. weight of rolls 2800 kg (6000 lbs)
- ▶ Various stacking table options
- ▶ Modular system



HAUSER HSC

High Speed Cutter

NEW

Innovative technology for economic solutions.

All from one source
Conforms to world-wide safety
and quality standards.



We are a powerful partner –
talk to us!

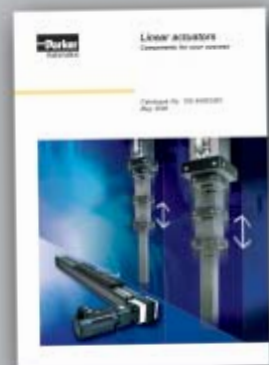
Your contacts

You can take advantage of our experience and the know-how of our specialists. Profit from the benefits of our innovative technology to obtain a cost-effective and user-oriented solution. Wherever tailor-made and custom-built automation services are required, you will find that our expertise makes us the right people to talk to.

HAUSER Sales - Automated Cutting Systems

Phone: +49 (0)781 / 5 09 - 450 to 458
Telefax: +49 (0)781 / 5 09 - 456
E-Mail: sales_machines_og@parker.com

Would you like more information?
Just ask for our brochures.
Or simply give us a call and arrange an appointment.



Parker Hannifin GmbH
EMD HAUSER
Robert-Bosch-Str. 22
D-77656 Offenburg, Germany

+49 (0)781 509-0
+49 (0)781 509-176
Website: www.parker-emd.com
e-mail: sales.hauser@parker.com

Parker Hannifin
HAUSER Textile Systems
165 Tradd Street
P.O.Box 170728
Spartanburg, SC 29301
+1 864 595 9215
+1 864 595 9299
e-mail: kschuck@parker.com
e-mail: dstrickland@parker.com