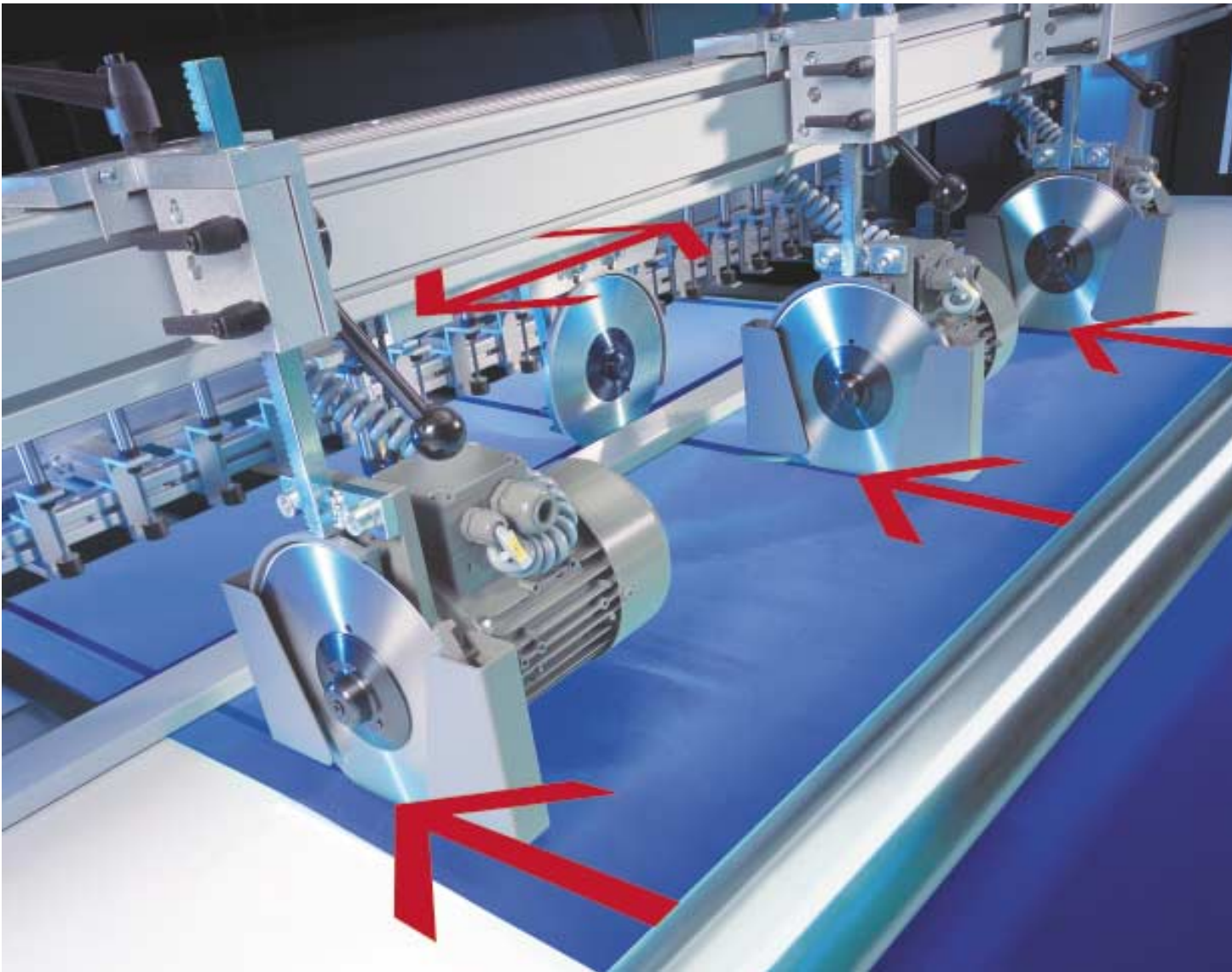


HAUSER

Automated Cutting Systems

Cross cutting, length cutting, stacking

Ref. No.: 192-490007 N2/GB
February 2001



Cross cutting – length cutting – stacking: HAUSER - QLA

HAUSER – the systems house for mechanics, electronics and software.

The advantages:

Complete packages. The core components of our systems are all based on in-house development and production. Software developed in-house, coupled with decades of know-how in the textile sector, are our guarantees for globally recognised top products.

HAUSER – QLA

offers many options
nearly all flexible materials can be efficiently cut, stacked and, if necessary, processed further.

HAUSER – QLA is available as a standard version with numerous options or as application-specific versions.

CE-conformance and ISO quality standards are essential requirements for us.



COMPAX controller



Reg. Nr. 36 38



Operating console



Linear actuator

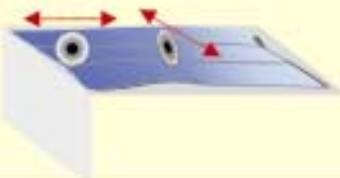
Through the combination of our modular components and decades of know-how, we can provide solutions for wide-ranging areas of application

Materials:

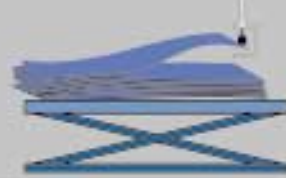
Home textiles



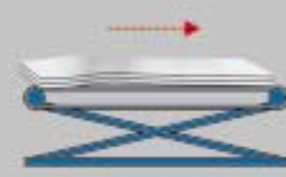
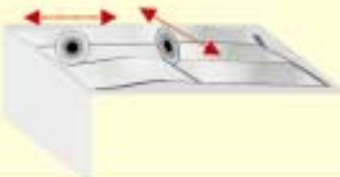
Cutting automation:



Stacking:



Non-Wovens Technical Textiles



Laminates





Home Textiles

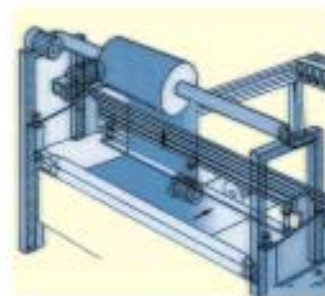
Non-wovens

Technical textiles

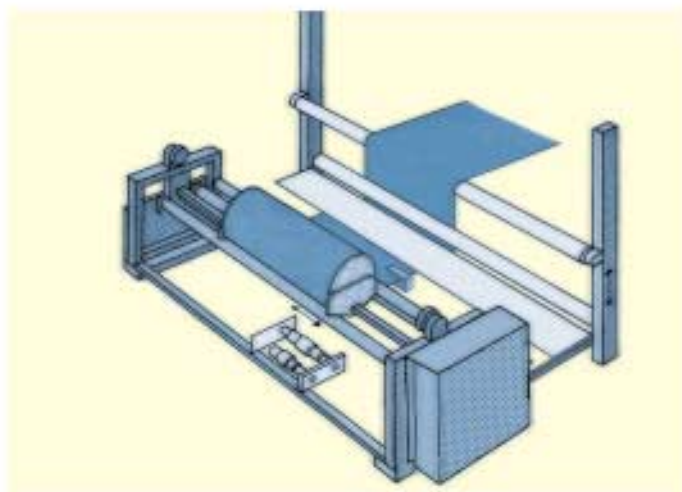
Laminates

An interesting concept: Suitable for many areas of application

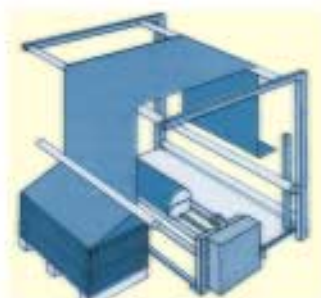
Flexible through its modular structure and multiple options, HAUSER-QLA is highly suitable for the processing of many materials.



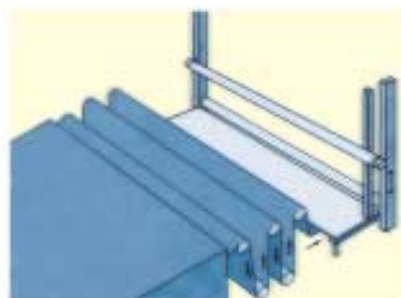
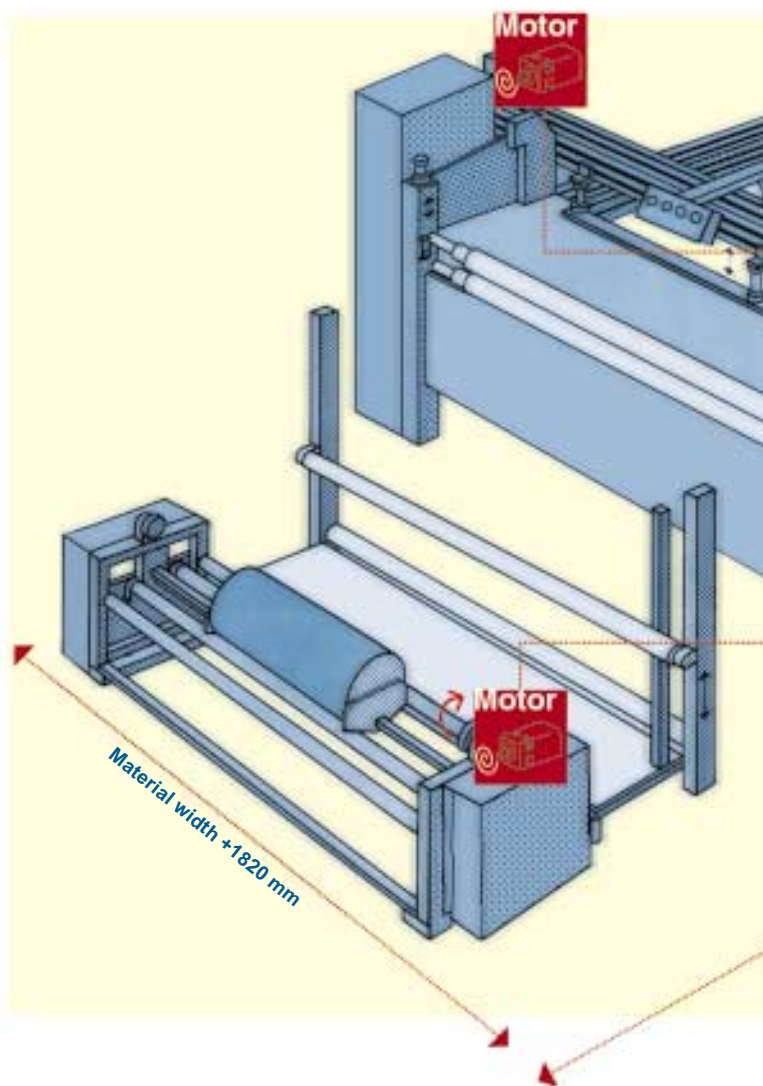
Strip rewinding



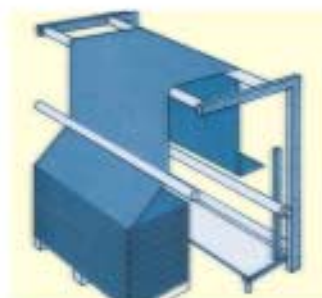
Edge guiding



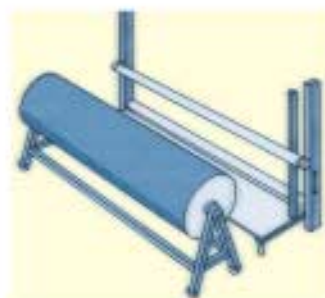
Roll and palette processing



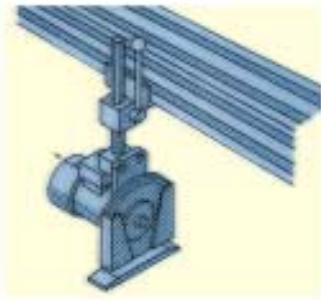
Continual feed for inline applications



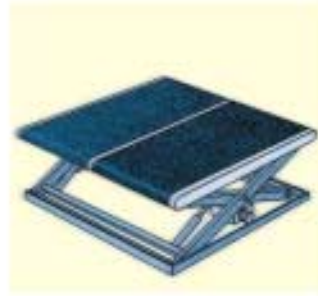
Palette feed



A-frame unwinding



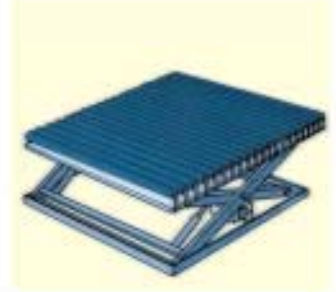
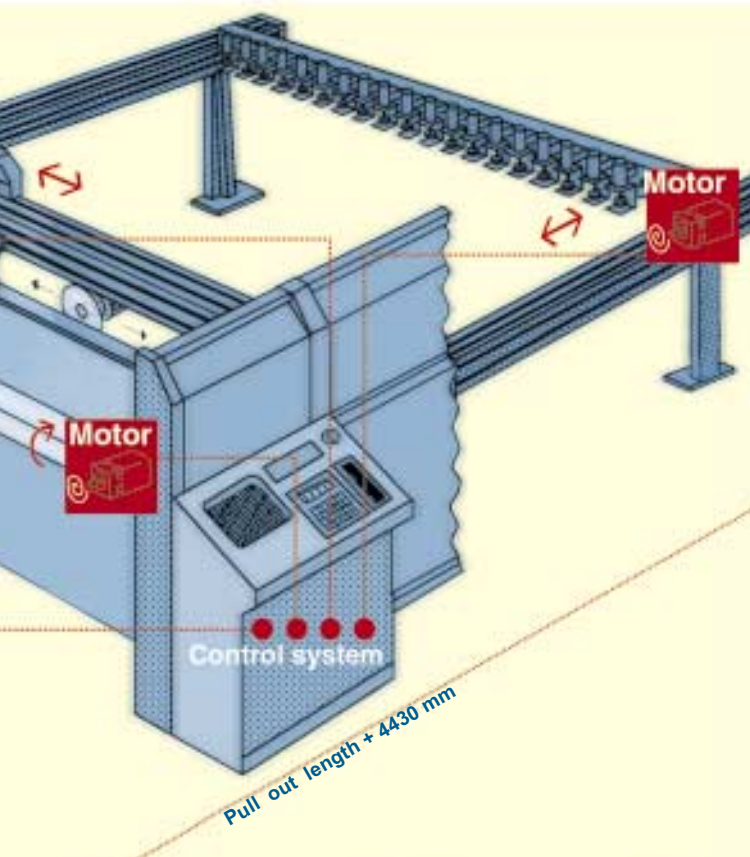
Length cutting unit



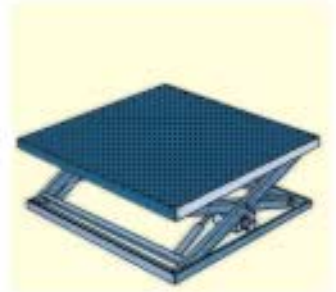
With conveyor belt



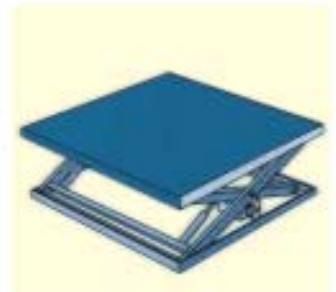
Indexing system



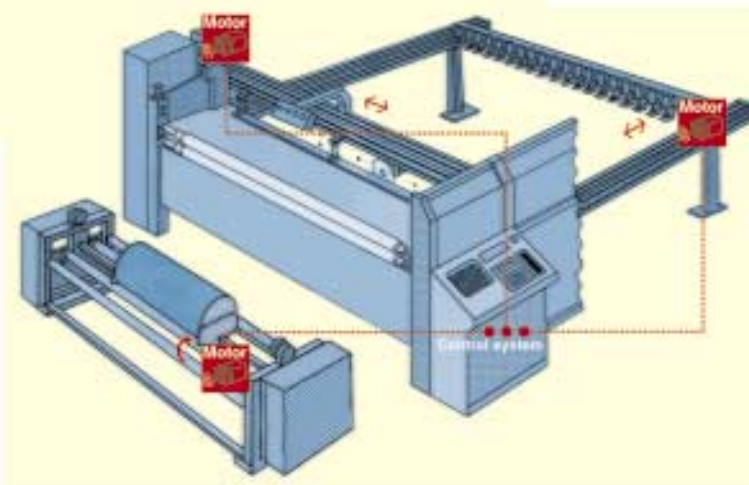
With roller conveyor



With air floatation



Stacking table with steel platform



With wooden platform

Application area: Home textiles

Home textiles



Bed linen

Sheets, fitted sheets, pillow cases, bed covers, ticking, etc.

Towels

Quilted materials

Mattress covers, bedspreads, etc.

Upholstery materials

Furniture, caravans, etc.

Tablecloths

Materials for garden furniture

Couch and chair covers, sunscreens, screen blinds, etc.

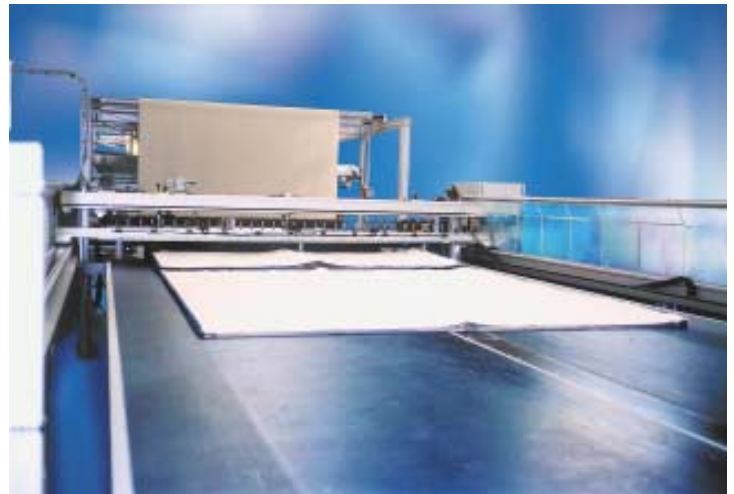
Woven materials for duvets



Double palette feed with unfolding unit



Pattern repeat



Stacking tables with conveyor belts



Cross cutting



Fabric web guide

Application area: Non-Wovens



Cleaning cloths

Floor cleaning, cleaning cloths, dusters, etc.

Disposable cloths

Catastrophe protection, railways, airplanes, fire services, camping, etc.

Upholstery industry

Lining materials foams, etc.

Medical disposable products

OP-sheets, OP-covers, cleaning cloths, etc.

Packaging materials

Paper, foils, air cushion foils, PE-foam, etc.

Felts

Mattress protectors, filters, upholstered furniture, recycling materials, etc.

Disposable clothing, protective clothing

Overalls for painting jobs, clean room applications, etc.

Disposable articles

Tablecloths, napkins, tray liners, etc.



Standard QLA



Length cutting and extraction



Multiple unwinding

Cutting blade shaft



Stacking cuts



Application area: Technical textiles

Technical Textiles



Big Bags

Pharmaceuticals, foodstuffs, chemistry, construction, etc.

Air Bags

Automotive supply industry

Sun protection

Construction projects, caravans, etc.

Compound materials

Air and space travel, automotive parts, technical light construction

Filter materials

Filter bags for heavy industry, compressors, emergency power aggregates, turbines, etc.

Rubber materials

Heavy layer materials for the automotive industry, car rugs, vehicle linings, seals, etc.

Laminated, coated materials

Roof facings, door facings, tent materials, sport articles, anti-glide materials, etc.

Foils

Advertising, overlays, bindings, shower curtains, tarpaulins, etc.

Honeycomb Material

Airplane construction, construction industry, automotive manufacturing, etc.

Impregnated materials

Shoe upper materials, fire-resisant materials

Floor coverings

Automotive industry, foot mats, etc.



Customer-specific complete solutions



Marking during movement

Thermal cutting



Cross-cutting with ultrasound



Cutting with ultrasound

Application area: Laminates



Construction laminates

Floor covering laminates,
laminates for the construction industry

Industry laminates

Printed circuit boards, pre-pregs,
copper foils, etc.



Cross cutting unit



Shaftless unwinder



Cutting bar



Turning unit



Offset stack



Ultrasonic tack-welding



Multiple unwinding

Software – Programming – Operation: Complete solutions from HAUSER

The HAUSER software team produces both standard and customer-specific software solutions. You can achieve the perfect cuts with the know-how of our programmers, based on decades of experience and continual improvements in learning.



Programming of different, customer-specific solutions in-house.

Optional monitor for visualisation of complex multiple set inputs

NO.	TR.	MAC	DRAG	LAINE	LAINEY-NO.	Y-NO	MODE	TRAIL	TRAIL-NO.	TRAIL-NO.
1	1	1	1	1	1	1	1	1	1	1
2	2	2	2	2	2	2	2	2	2	2
3	3	3	3	3	3	3	3	3	3	3
4	4	4	4	4	4	4	4	4	4	4
5	5	5	5	5	5	5	5	5	5	5
6	6	6	6	6	6	6	6	6	6	6
7	7	7	7	7	7	7	7	7	7	7
8	8	8	8	8	8	8	8	8	8	8
9	9	9	9	9	9	9	9	9	9	9
10	10	10	10	10	10	10	10	10	10	10



Standard input fields



HAUSER – Perfect cutting - every time!

Full Service for your cutting automation

HAUSER can provide all the services you require. Extensive consulting, individual project planning, design, manufacturing and commissioning. Our service is fast when you need it. We won't let you down: Experienced experts are always on hand to help, giving you the secure feeling that you have made the correct investment decision.

HAUSER is a company in the Parker Hannifin Group. This partnership in the "Automation" field has proved itself across the world. We are part of a large family and profit from the strength of a successful corporation. Our clients profit directly from the intensive know-how transfer within the corporation. In order to be able to keep abreast of the globalisation trend it is important to have a world-wide presence and to be competent locally.

HAUSER: We keep moving where others stand still.

Project planning



Project planning:
Experienced experts are with you all the way. Extensive consulting, individual project planning – gives you the security you need.

Design:
Our engineers' know-how and modern development tools make it possible to develop individual and mature system solutions.



Design

EMD HAUSER:
Located in Offenburg.

Production



Production:
„Made in Germany“ – well-trained specialists manufacture highly-developed, durable, high-tech products.



Commissioning Service



Commissioning:
Our specialists will put your product into operation.



Local service:
Quick, competent and reliable – whenever you need us. At HAUSER, service is not just a sales argument.

We are a powerful partner – talk to us!

Your contacts

You can take advantage of our experience and the know-how of our specialists. Profit from the benefits of our innovative technology to obtain a cost-effective and user-oriented solution.

Wherever tailor-made and custom-built automation services are required, you will find that our expertise makes us the right people to talk to.

HAUSER Sales - Automated Cutting Systems

Tel.: +49 (0)7 81 / 5 09-4 51 to 455

Fax: +49 (0)7 81 / 5 09-4 56

e-mail: vertrieb-maschinen@parker-emd.com

Would you like more information?

Just ask for our brochures.

Or simply give us a call and arrange an appointment



Parker Hannifin GmbH
EMD HAUSER
Robert-Bosch-Str. 22
D-77656 Offenburg, Germany
Tel: +49 (0)7 81 5 09-0
Fax: +49 (0)7 81 5 09-1 76
Website: www.parker-emd.com